

FLUSH AIR VENT H9-180B

Installation and User Manual for Rutgerson Flush Air Vent

Installation

The air vent can either be installed in a recess, so it is totally flushed with the installation surface or on top of it. Please note that the installation surface must be perfectly flat, with a tolerance of maximum +/- 1 mm.



On-top installation (tools needed: 133 mm hole saw, 9 mm drill)

1. Mark the exact location for the cut-out.
2. Place Scotch tape on top of the sawing surface to prevent it from cracking.
3. Mark the cut-out using the cut-out template, see page 3.
4. Cut the large centre hole using a 133 mm hole saw.
5. Drill the 6 screw fixing holes using a 9 mm drill.
6. Apply sealant in the groove of the deck ring. The sealant compound should be used in accordance with the manufacturer's instructions and recommendations.
7. Mount the inner ring from inside and fix the vent with the 6 supplied screws. If longer screws are needed use Plastite Screws size #8 or other suitable thread forming screw with outer thread diameter 4-4.3 mm and maximum screw head diameter 9 mm.

Flush installation

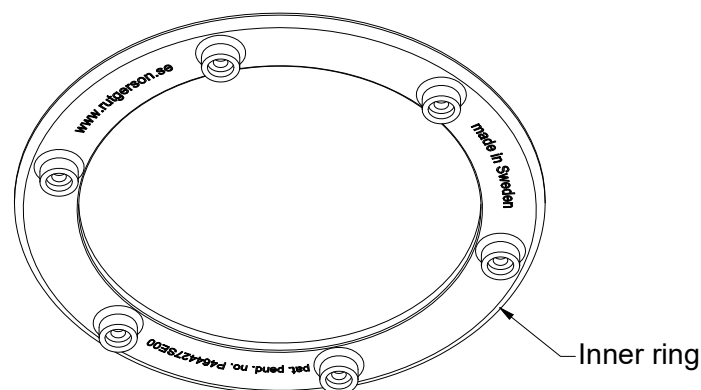
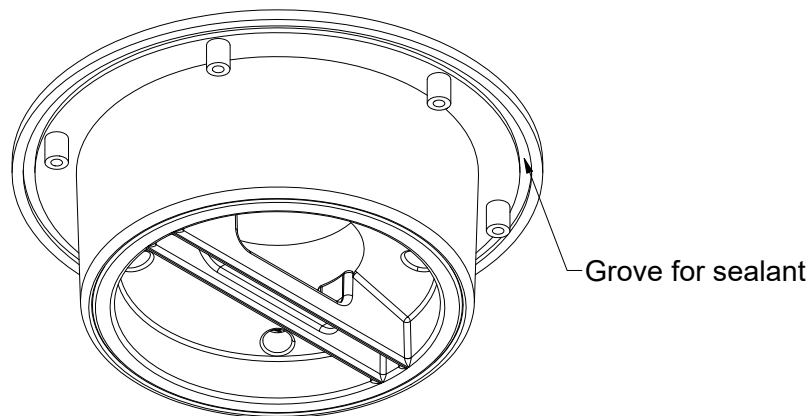
1. Mill/prepare the recessed cut-out in accordance with supplied cut-out drawing, see page 4.
2. Apply sealant in the groove of the deck ring. The sealant compound should be used in accordance with the manufacturer's instructions and recommendations.
3. Mount the inner ring from inside and fix the vent with the 6 supplied screws. If longer screws are needed use Plastite Screws size #8 or other suitable thread forming screw with outer thread diameter 4-4.3 mm and maximum screw head diameter 9 mm.

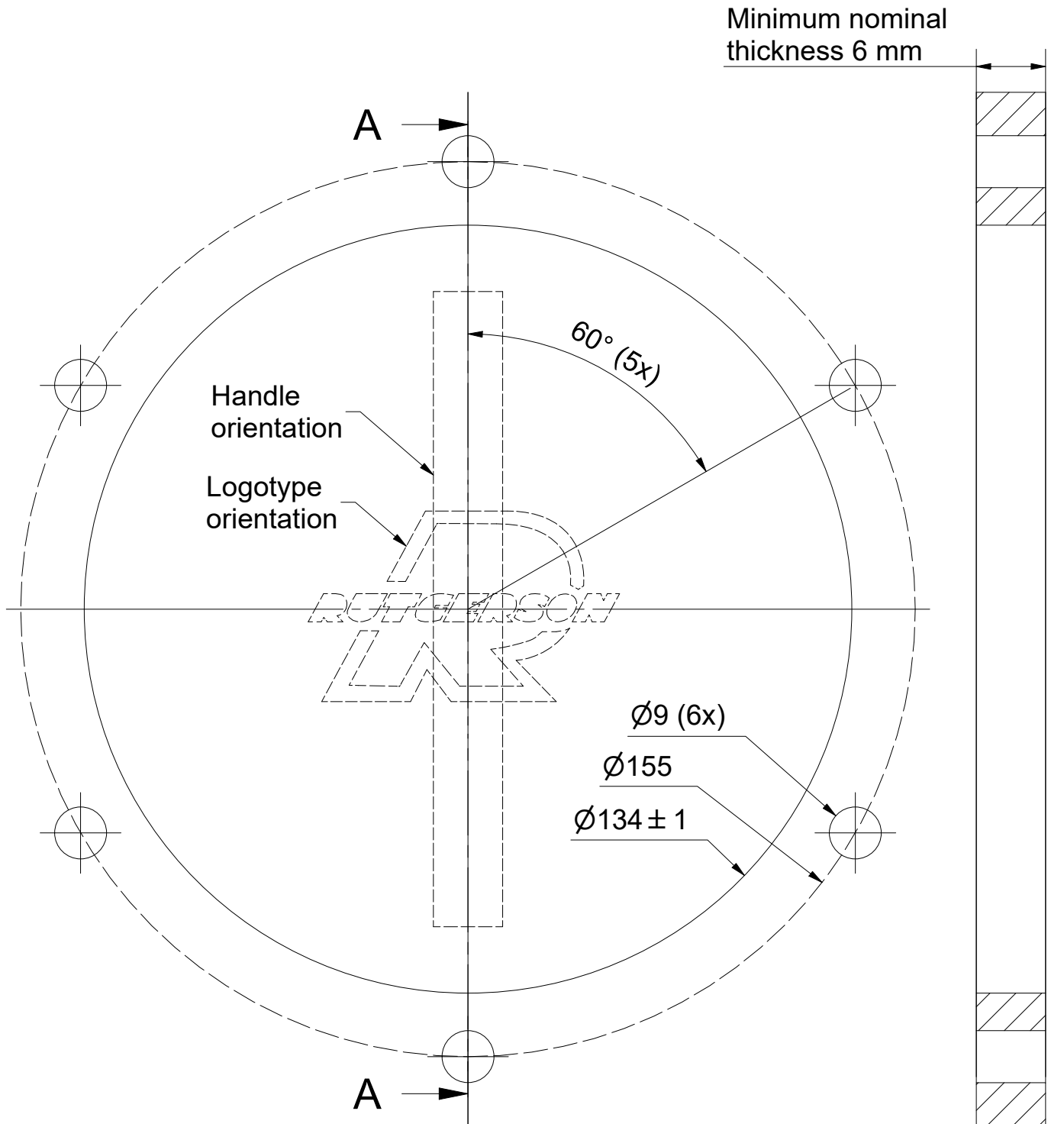
User Manual

This air vent can be open in rainy conditions or when small amounts of water are flowing on deck. Close when rough weather or big amounts of water on deck is expected.

Open the air vent from inside by pushing upwards on the handle. Make sure that the air vent is fully opened so the drainage openings are above the upper surface of the deck ring.

Close the air vent by pulling the handle from inside or pushing it down from outside. The air vent is fully closed when the lower end of the movable centre parts aligns with the lower part of the cylindrical deck ring on the inside or when the top surfaces are totally aligned.



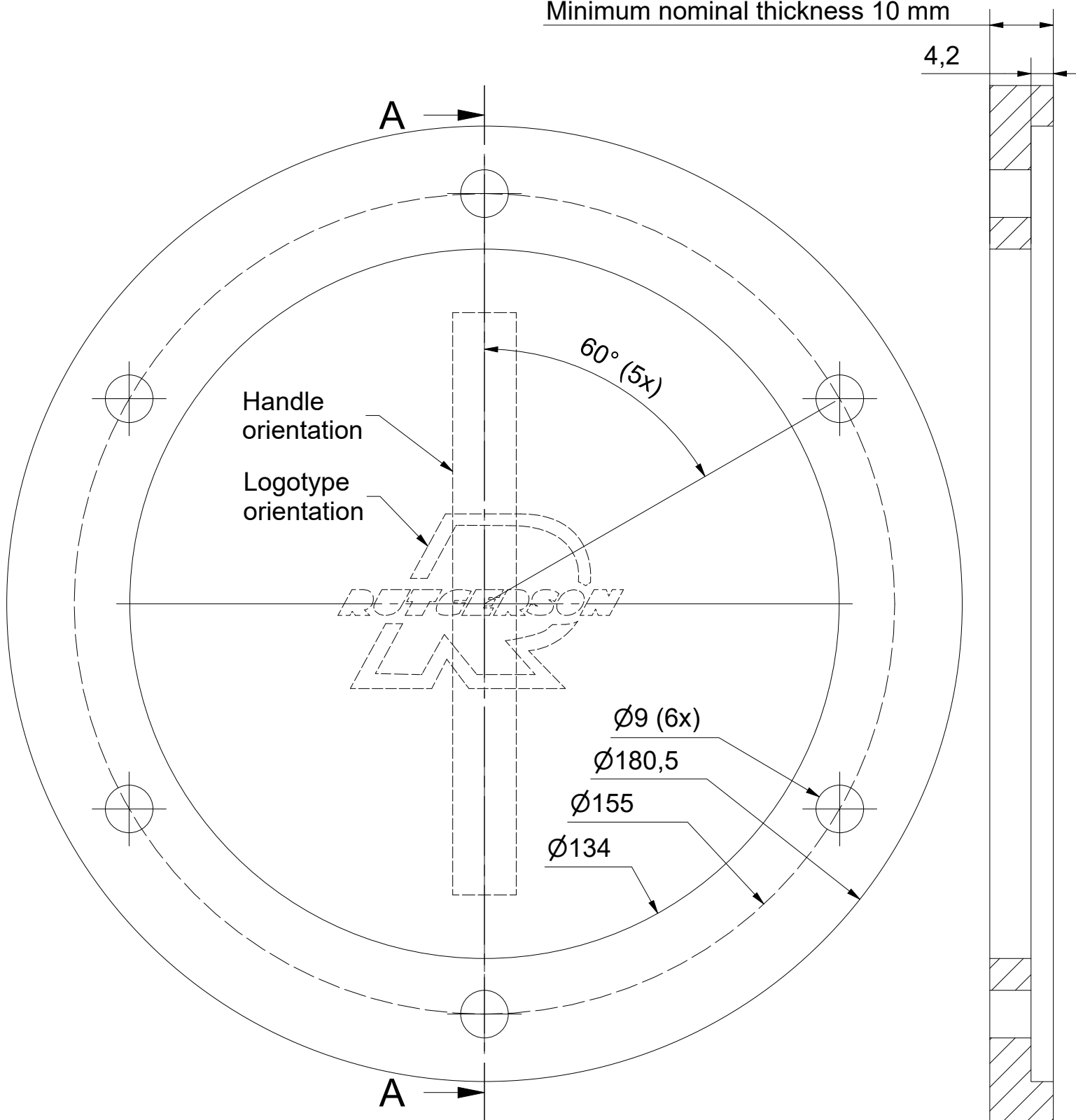


A-A (1 : 1)

Sawn/drilled cut-out for installation on top of surface (1 : 1)

NB! Make sure that you print scale 1:1 for correct dimensions.

Minimum nominal thickness 10 mm



Milled cut-out for flushed installation (1 : 1) A-A (1 : 1)

NB! Make sure that you print scale 1:1 for correct dimensions.