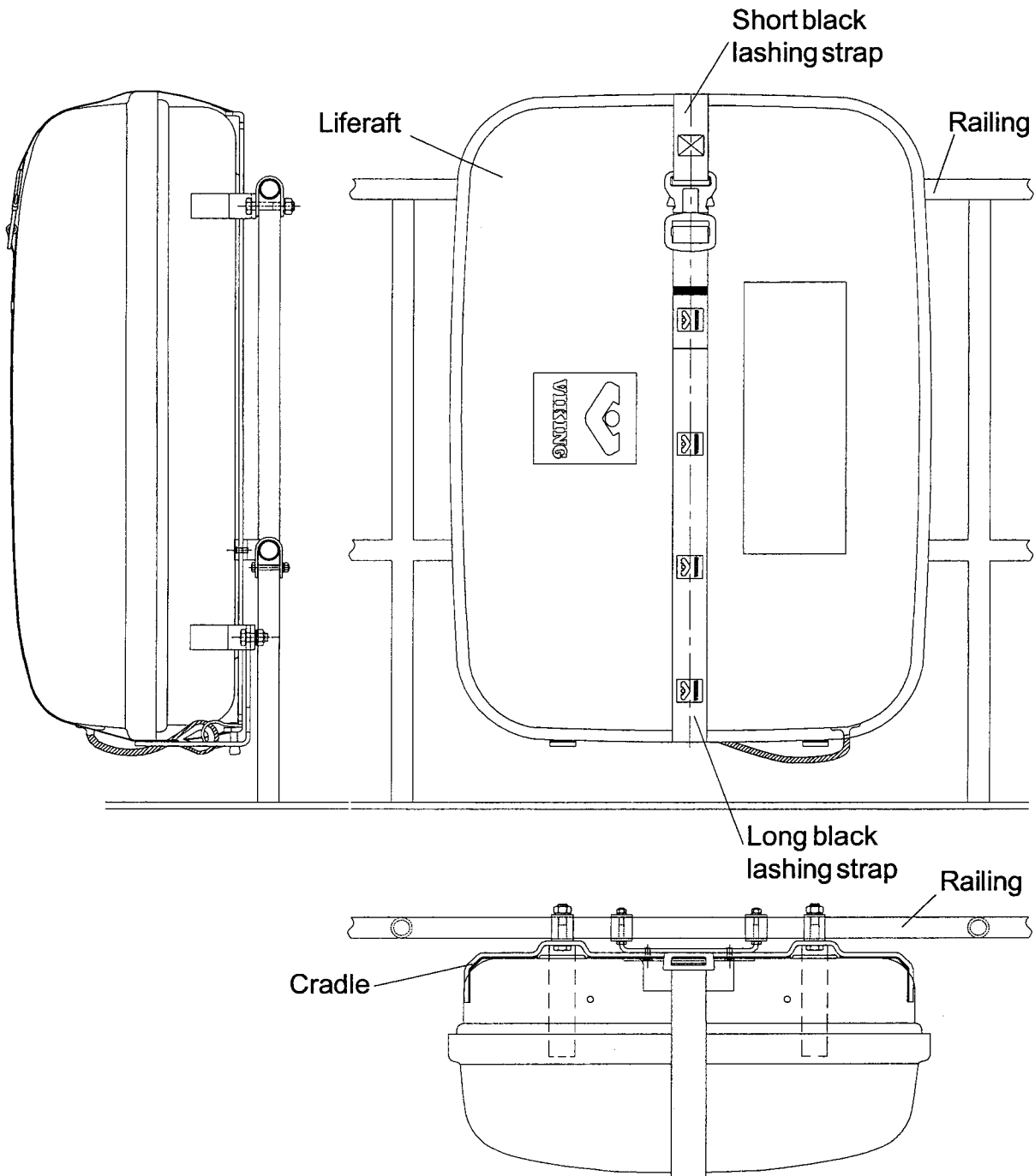




V-MI-0164

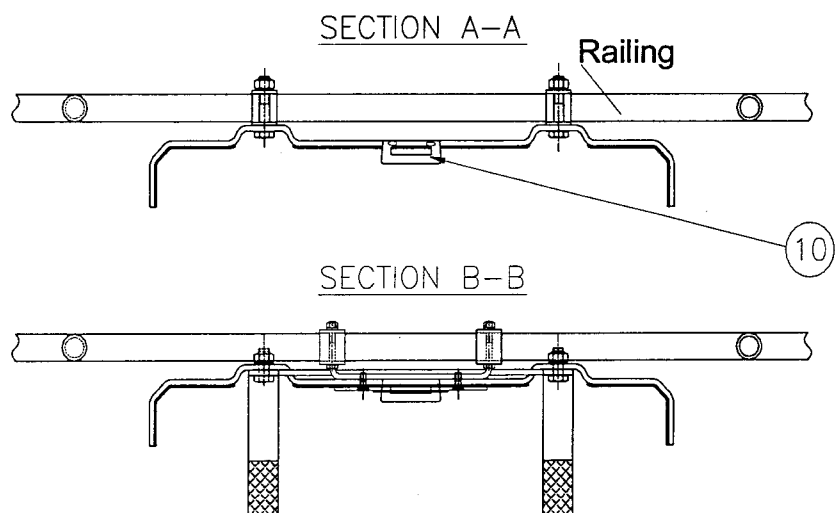
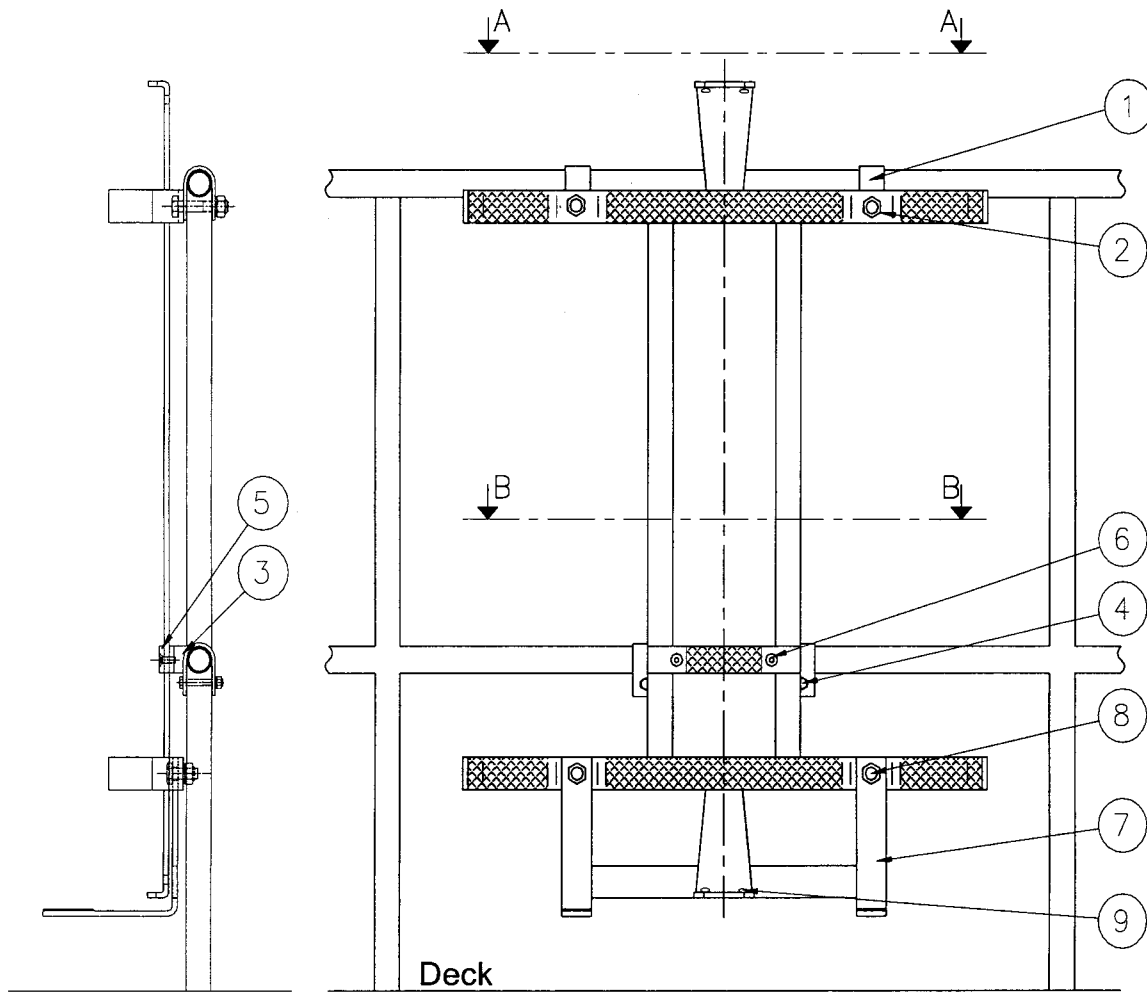
Mounting instructions for Yaching raft in cradle installed on railing:





V-MI-0164

Mounting instructions for cradle installed on railing:



APPROVED: CJ EDITION: 1 DATE: 30.10.02ENG PAGE: 2-4

VIKING LIFE-SAVING EQUIPMENT A/S, Denmark

Tel +45 76 11 81 00 www.viking-life.com - E-mail: viking@viking-life.com



V-MI-0164

General guidelines for installation of cradle on railing:

- Position no. 1: Mounting fittings for the upper part of the cradle.
See page 2 SECTION A-A.
- Position no. 2: M10 x 50 Bolts
M10 Lock nuts
Ø 10 Washers
See page 2 SECTION A-A.
- Position no. 3: Mounting fittings for the lower part of the cradle.
See page 2 SECTION B-B.
- Position no. 4: M6 x 40 Bolts
M6 Lock nuts
Ø6 Washers
See page 2 SECTION B-B.
- Position no. 5: Mounting plate for lower part of the cradle.
See page 2 SECTION B-B.
- Position no. 6: M6 x 16 Countersunk screws
See page 2 SECTION B-B.
- Position no. 7: Console for container.
See page 2.
- Position no. 8: M10 x 25 Bolts
M10 Lock nuts
Ø10 Washers
See page 2 SECTION B-B.
- Position no. 9: Hole for Shackle only used for mounting of the painter line without HRU unit.

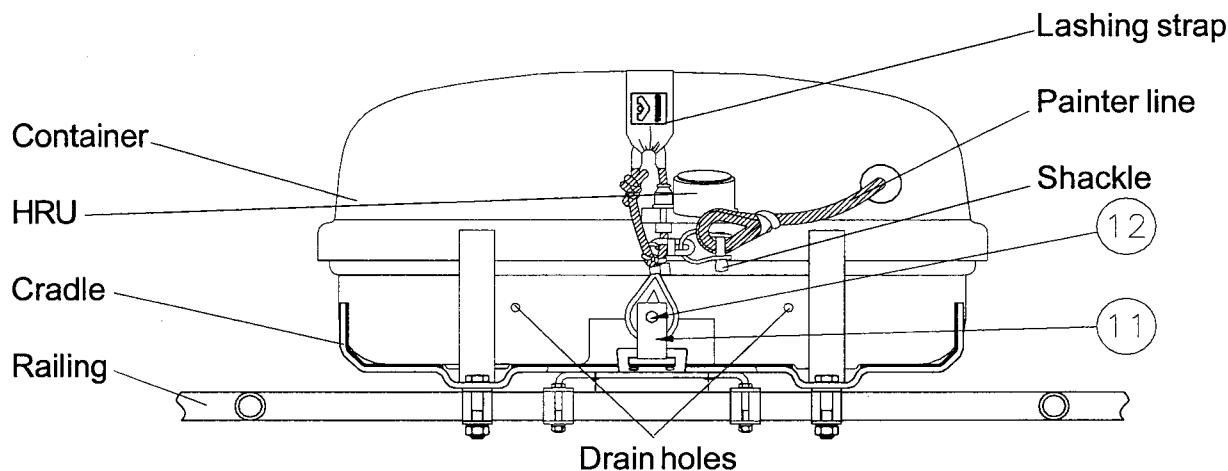
All parts delivered by VIKING. Mounting fittings for the cradle delivered in a plastic bag.



Mounting instructions for container in cradle:

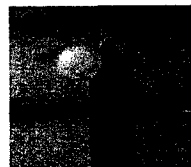
- 1.1 Place black short lashing strap in upper fittings POSITION no. 10. See page 2.
- 1.2 Mount container in cradle. Make sure that painter line points towards deck.
- 1.3 Place the longest lashing strap in the HRU and close buckle. Tighten up lashing.

Mounting instructions for container in cradle with Hammar hydrostatic release unit (HRU):



Position no. 11: Mount fittings for HRU on cradle.

Position no. 12: M6 x 35 Bolt
M6 Lock nut
Ø6 Washer



Drain plugs

Important! Remove the 2 plastic plugs from drain holes on container side pointing towards deck to create drains in container. The drain holes enable condensed water to run out of the container. Remove above mentioned plastic plugs by means of a knife..

Mounting instructions for container in cradle without HRU unit:

- 2.1 Mount as part 1.1 & 1.2. Place the longest black lashing strap in the lower fittings on the cradle. Close buckle. Tighten up lashing

