

HATCHSHADE 2

Order Form and Product Guide

Customer _____
 Address _____

Tel _____
 Fax _____
 Mobile _____
 Email _____

Order _____
 Quote _____
 Project Name _____
 Project Location _____
 Date _____

| Window ID | Location | Dimension Info | | | | | Fabric | Housing Colour | Hold Down Options | Additional Pegs Required | Fixings | Qty | |
|-----------|----------|-------------------|-------------------------------|------------------|---|---|---|-----------------------------------|--|--------------------------|-------------|-----|------------------------------|
| | | Overall width (Z) | Fabric Width (X) ² | Irregular Blinds | | | | | | | | | Fabric Drop (Y) ³ |
| | | | | A | B | C | | | | | | | |
| | | | | | | | Solar White Shield From Collection Code | Silver Anodized White Beige | Mini Grip Toggle Long Toggle Pegs | Qty _____ | Top Face | | |
| | | | | | | | Solar White Shield From Collection Code | Silver Anodized White Beige | Mini Grip Toggle Long Toggle Pegs | Qty _____ | Top Face | | |

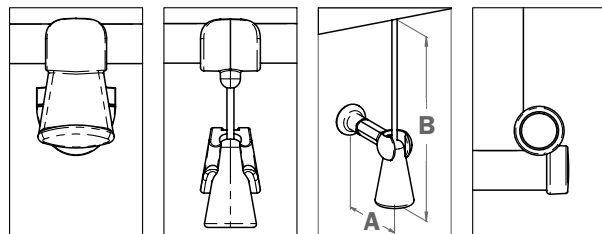
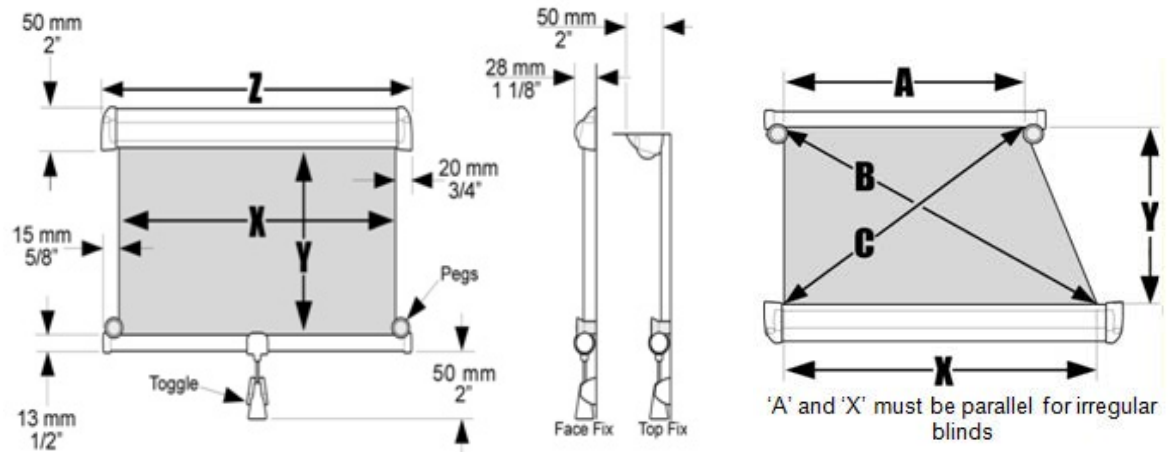
1. Please provide either 'Z' or 'X' measurement.
2. Width: Min 200mm (7 7/8") - Max 1400mm [55 1/8"]
3. The maximum drop is dictated by the chosen fabric.
4. Standard fabric is Solar Shield White, for other fabrics see fabric collection.

| Pegs Supplied | | | | |
|------------------|-----------|--------|-------------|------|
| Hold Down Option | Mini Grip | Toggle | Long Toggle | Pegs |
| No. of Pegs | 2 | 2 | 2 | 4 |

5. Pegs are supplied as standard when selecting Hold down options, they can be used in addition to the option chosen or for deploying the blind halfway. If more are required, please state quantity above.

* For irregular shapes, please supply dimensions A, B and C in addition to X and Y (see drawing)

* Blinds over 800 mm (31 1/2") wide have two handles (All dimensions converted to the nearest 1/8". If sizes are critical, please use metric measurements).



A = 35.4mm [1 3/8"]
 B = 80.4mm [3 1/8"]

Mini Grip Toggle Long Toggle Peg